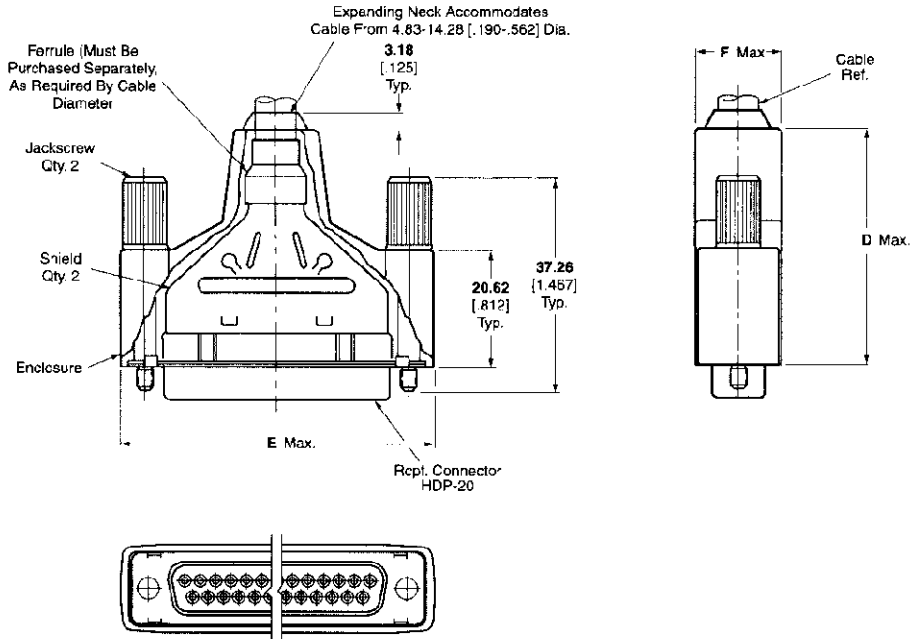
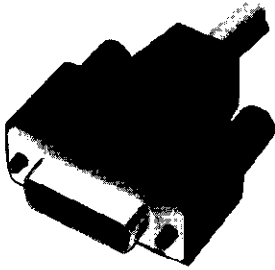




# AMPLIMITE Subminiature D Type Connectors (Continued)

## HDP-20 Shielding Hardware Enclosure Kits

### Receptacle



Input/Output

Parallel Applications

Shell Size	No. of Contact Positions	Dimensions			Recommended Cable Insulation Diameter	Max. Cable Dia.†	Insert Material	Kit Numbers		Shielding Enclosure Expansion Tool	
		D	E	F				Plug	Receptacle	Cable O.D. (Max.)	Part Number
1	9	42.16 1.660	34.42 1.355	16.00 .630	4.83-9.53 .190-.375	8.89 .350	94V-0	747952-1	747951-1	9.02 .355	58241-4
2	15	42.16 1.660	42.80 1.685	16.00 .630	4.83-9.53 .190-.375	8.89 .350	94V-0	747954-1	747953-1		
3	25	42.16 1.660	56.13 2.210	16.00 .630	5.51-11.05 .217-.435	8.89 .350	94V-0	747956-1	747955-1	11.56 .455	58241-1
4	37	51.05 2.010	72.77 2.865	18.54 .730	8.59-14.28 .338-.562	11.43 .450	94V-0	747958-1	747957-1	14.28 .562	58241-2
5	50	51.05 2.010	70.49 2.775	18.54 .730	8.59-14.28 .338-.562	11.43 .450	94V-0	747960-1	747959-1		

Notes: 1. Plugs accept size 20 DF pin contacts and receptacles accept size 20 DF socket contacts.  
 2. Components of the kits are shipped unassembled and bulk-packaged in quantities of 100 pieces.  
 †Maximum cable diameter after jacket and braid removed.